

SUPERMASTER

Chain actuator - Force in push action 400 N - Stroke 450-600-800 mm



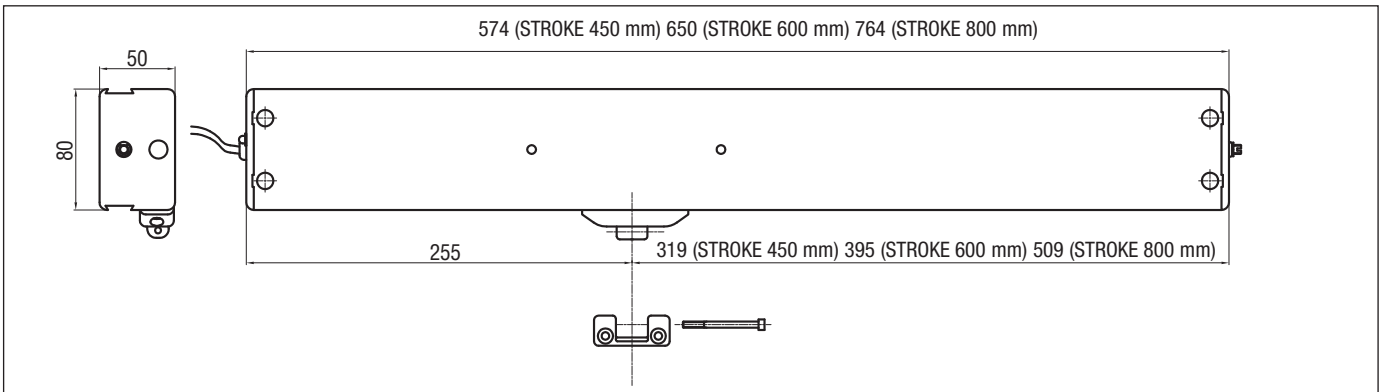
- The longest stroke (800 mm) and the highest force (400 N) for a chain actuator: it solves the problems to operate very heavy vents and the necessity of wide opening without taking up space inside the room (800 mm only for bottom hinged windows).
- Double link chains.
- Red lamp placed on the actuator to signal the close position.
- Supplied with 2 m cable (450-600 mm), 3 m cable (800 mm).
- For windows without windowsill a fixing bracket (sliding within the dovetail slide) is available for an easy installation.
- Minimum window height: 900 mm for 450 mm stroke, 1200 mm for 600 mm stroke, 1600 mm for 800 mm stroke. In case of lower windows install the "pivoting brackets" part No. 40560T (see installation examples).
- In case of vents with four-bar hinges, please contact our Technical Dpt.
- Available on request a coupling control box for two actuators on the same window.
- 24 Vcc version is suitable for installation on smoke and heat extraction systems in conformity to UNI EN 12101-2.
- (*) SUPERMASTER 24 Vdc approved by TÜV test (Nr. KH99.8.2).



STROKE	SUPERMASTER 230 V AC	SUPERMASTER 24 V DC *
VOLTAGE SUPPLY	450 - 600 - 800 mm	450 - 600 - 800 mm
ELECTRIC CONNECTION	230 Vac \pm 10%	24 Vdc \pm 10%
OPERATION	3 wires + earth	(3 wires) + 2 wires + signalling by polarity inversion
FORCE (push action)	400 N (300 N for 800 mm stroke)	400 N (300 N for 800 mm stroke)
FORCE (pull action)	400 N	400 N
SPEED	\sim 23 mm/s	\sim 20 mm/s
CURRENT ABSORPTION (with max load)	0,8 A	2 A
PARALLEL CONNECTION	YES	YES
LIMIT STOP	Micro switches	Micro switches
SAFETY STOP	Thermic	Electronic
FEEDBACK SIGNAL		Open/close
PRETECTION CLASS	IP 20	IP 20

PART No.

STROKE	450 mm	600 mm	800 mm	450 mm	600 mm	800mm
SILVER ALUMINIUM	40462T	40452P	40518U	40506L	40461R	40469H
DARK BROWN ANODIZED	40465Z	40464X	40753T	40509T	40467D	40470S
WHITE PAINTED RAL 9010	40466B	40454U	40774O	40507N	40468F	40471U

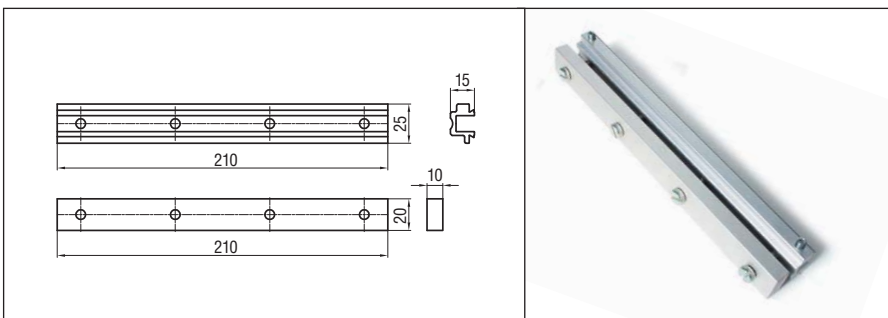


Actuators dimension

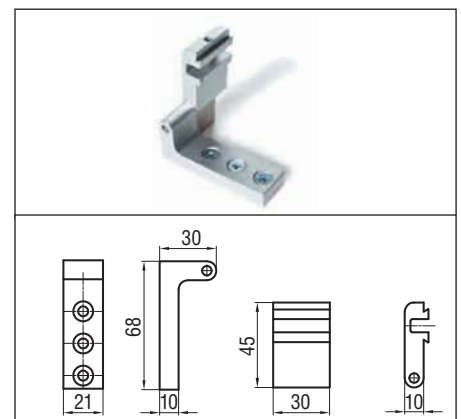
SPECIFICATION PROSPECTS

Electric chain actuator Ultraflex Control Systems named Supermaster with double link chain. Force 400 N.
 Strokes: 450-600-800 mm. Voltage supply 230 Vac or 24 Vdc. Limit stop by micro switches and thermal protection (230 Vac version) or electronic safety stop (24 Vdc version).
 Parallel connection. Casing in silver anodized or painted aluminium.
 The 230 Vac version and the 24 Vdc version are conform to 2004/108/CE directive, the 230 Vac version is also conform to 2006/95/CE directive.

Accessories

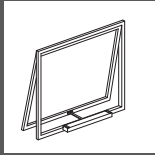


Sliding aluminium bracket with shim part No. 40460N

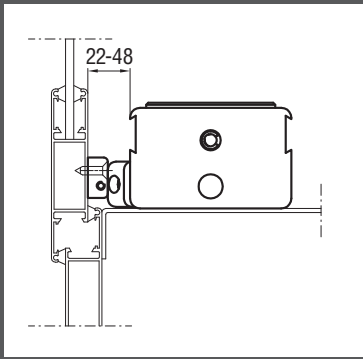


Pivoting brackets kit part No. 40560T

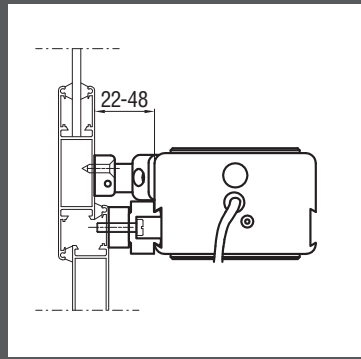
Installation examples



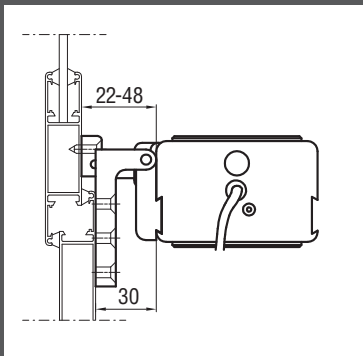
Top hinged windows



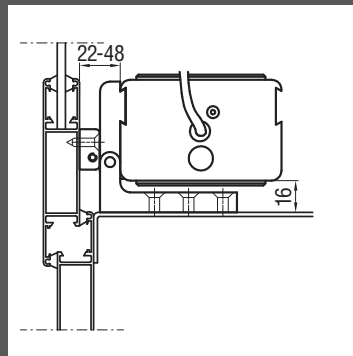
On windows with windowsill without brackets



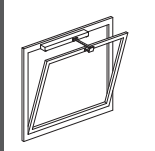
Without windowsill with bracket part No. 40460N



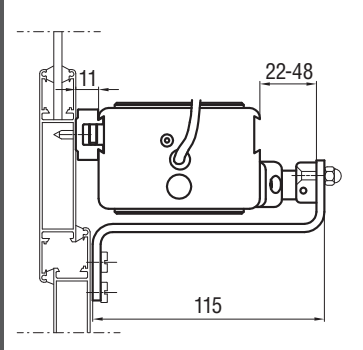
On the frame with pivoting brackets part No. 40560T



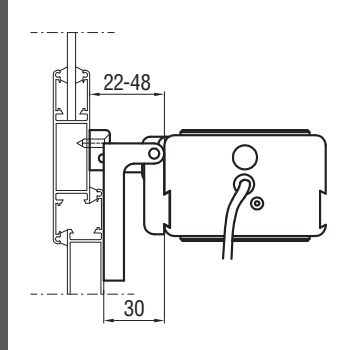
On windows with windowsill with pivoting brackets part No. 40560T



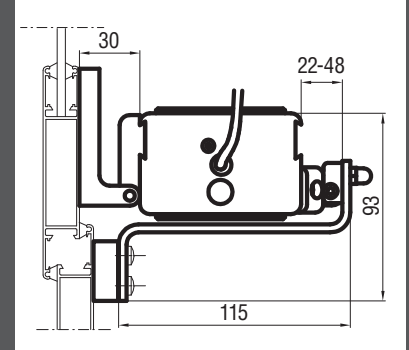
Bottom hinged windows




On the frame with bracket or bottom hinged window part No. 40472W



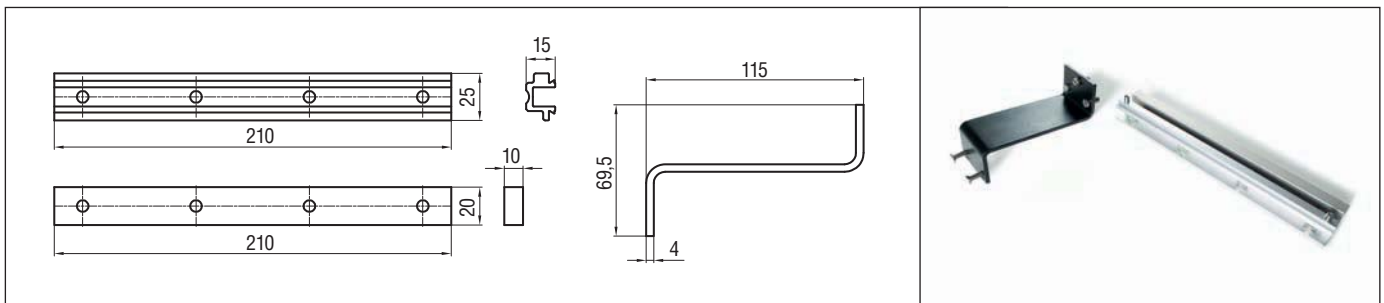
On the vent with the pivoting bracket part No. 40560T



On the frame with the pivoting bracket part No. 40560T and bracket part No. 40472W

 The instructions for a safe installation are included in the section "SECURITY WARNINGS"

Accessories



Sliding aluminium steel bracket with shim and bottom hinged painted steel bracket part No. 40472W