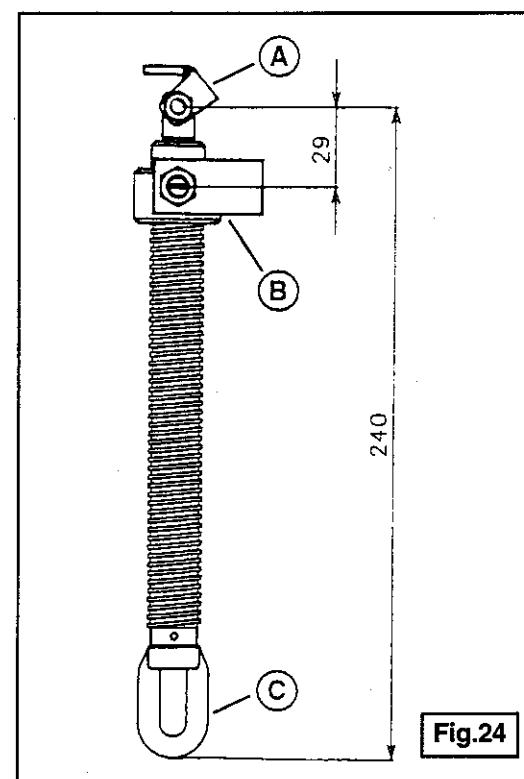


TELESCOPIC SPINDLE (code 37243K)

- Suitable for operating domes, skylights and roof windows.
- Opening stroke 310 mm (12").
- Supplied with fixing brackets and connector to the vent.
- Operation by pole with crank handle.



Installation instructions

- Choose the most suitable screws (not supplied) for fixing the brackets according to the type and material of the frame.
- Before installing, completely screw the external ring of the jack and the brass screw. Then unscrew the brass screw and place it as shown in the drawing on the packaging (Fig.25).
- Insert the connector A and the bracket B in their seats on the jack, fixing them with the relative screws and nuts supplied.
- Fix the connector A on the vent and the bracket B on the fixed frame, making sure that, in completely open position, is it possible to insert the hook of the control rod in the eyelet of the jack.

Note: make sure that the external ring is completely screwed on the external chromed screw in the closing position, in order to avoid damaging the gaskets and/or the frame.

If the dome does not close completely, disconnect the jack from the connector and screw on the inner screw (keeping in mind that to each turn corresponds about 12 mm stroke). Connect the jack back on the connector and verify that the frame closes completely.