

CAT

Manual chain opener



- Manual chain operator for skylights, roof windows and top hinged windows.
- Easy and quick installation on wood, metal and PVC windows.
- Maximum opening approx. 260 mm. It is possible to stop the sash in any position.
- Allows window operation without remove any insect screen.
- When closed it is not possible to open the window from outside.
- Smooth and easy operation.
- Quick release system for easy window cleaning.
- Corrosion protected chain. Suitable for windows with more than 300 mm height.*
- The CAT chain actuator is supplied with a handle for installation on windowsill or eyelet for operation by crank handle for skylights or roof windows.

PART No.

CAT CHAIN OPENER WITH HANDLE
CAT CHAIN OPENER WITH EYELET

WHITE RAL 9010

40761WIN
40761SKY

BLACK RAL 9005

40807WIN
40807SKY

GREY RAL 9006

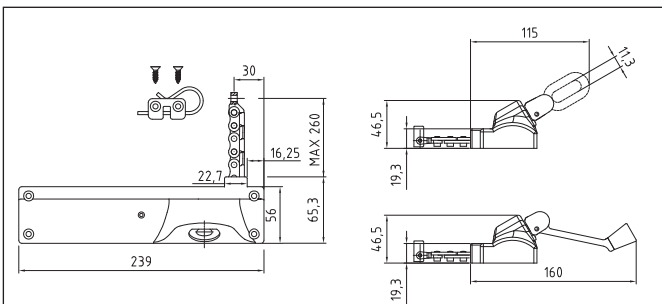
40808WIN
40808SKY

CRANK HANDLE Lenght

1500 mm	40764E
2000 mm	40765F
2500 mm	40766G
3000 mm	40767H

SPECIFICATION PROSPECTS

Ultraflex Control Systems manual actuator with chain for operating top hinged windows by handle or skylights by eyelet and crank handle. Maximum stroke 260 mm.



Actuator dimension

Maximum load on the chain 180N

The above value do not include any wind or snow load.

* For window less than 500 mm high, please refer to the user manual.



The instructions for a safe installation are included in the section "SECURITY WARNINGS"