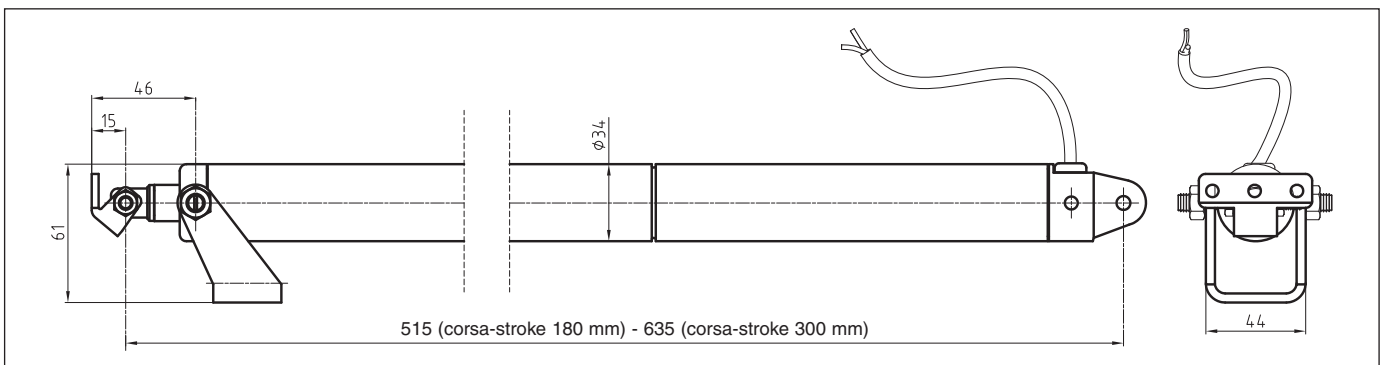


# ULYSSES

Linear spindle actuator - Force in push action 650 N - Stroke 180 and 300 mm



- Minimum size: external diameter 34 mm.  
Suitable to be put in the profile of the window.
- Load transmission by rigid spindle.
- Particularly suitable to operate sun blades.
- High protection from atmospheric agents (IP 65).
- Warning: the actuator is provided with electronic limit stop. When the actuator is in stroke end positions, if in closing, do not repeat the closing operation, and viceversa in opening.
- Supplied with steel end bracket and connector. Front or back fixing possibility.
- Aluminium back bracket to be ordered separately part No. 35697P
- A kit to reduce the stroke is available part No. 40735V



Actuators dimensions

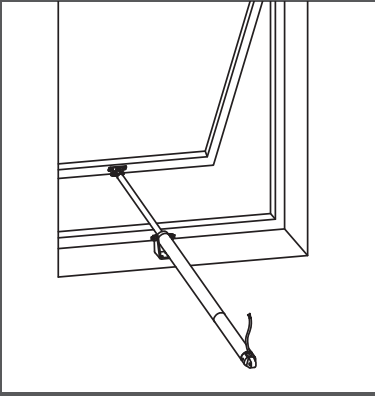
VOLTAGE SUPPLY	24 Vdc $\pm$ 10%
ELECTRIC CONNECTION	2 wires
OPERATION	by polarity inversion
STROKE	180/300 mm
FORCE (in push and pull action)	650 N
SPEED	6 mm/s
CURRENT ABSORPTION (with max load)	$\sim$ 1 A
PARALLEL CONNECTION	YES
LIMIT STOP	Electronic
PROTECTION CLASS	IP 65

**PART No.**  
SILVER ANODIZED

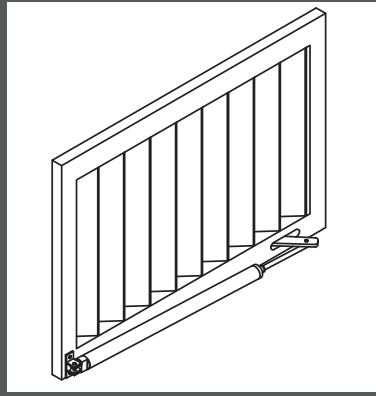
**STROKE 180 mm**  
40759Z

**STROKE 300 mm**  
40760A

## Installation examples



On top hinged window with windowsill with end bracket included



Installation on vertical sun blades with back fixing bracket part No. 35697P



On dome with fixing end bracket included



On horizontal louvre with back fixing



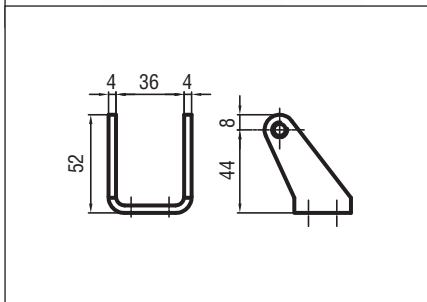
On horizontal louvre with back fixing bracket part No. 35697P

**⚠** The instructions for a safe installation are included in the section "SECURITY WARNINGS"

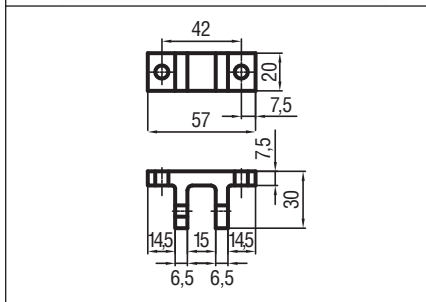
## SPECIFICATION PROSPECTS

Electric linear actuator Ultraflex Control Systems named Ulysses - Load transmission by rigid spindle, stroke 180 mm or 300 mm, external diameter 34 mm, fixing bracket included. Force 650 N. Protection class IP 65. Voltage supply 24 Vdc. Parallel connection. Electronic safety limit stop. Casing in silver anodized. Conform to 2004/108//CE directive.

## Accessories



Steel end bracket included



Aluminium back bracket part No. 35697P



Kit to reduce the stroke part No. 40735V



Galvanized steel connector kit to fix the spindle on the vent (included).