

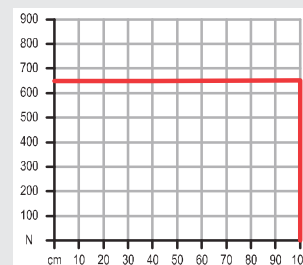
SKYRO650 | Gear Rack Actuator 650 N



SKYRO 650 is the new rack actuator with Syncro³ technology (Nekos patent).

It has a wide range of applications, thanks to its 650 N traction and thrust force, which is microprocessor-controlled and managed. The new SKYRO actuator series is the result of Nekos' experience in providing robust, durable, easy-to-install and cost -

- The application is versatile and modular. It is possible to install several motors in Syncro³ version on the same window or to
- The most frequent applications are automation of domes, large skylights, Shed windows, rooflights, sunshade blades and battery-
-
- The actuator is fixed by means of a clamp system along the entire length of the shaft and with a swinging support that allows the actuator to follow the opening radius of the window frame.



PATENTED

EP2770385



APPLICATIONS

SHED WINDOWS
DOMES and SKYLIGHTS
SOLAR SHADING BLADES
LOUVRE FRAME
JALOUSIES

TO BE USED WITH:

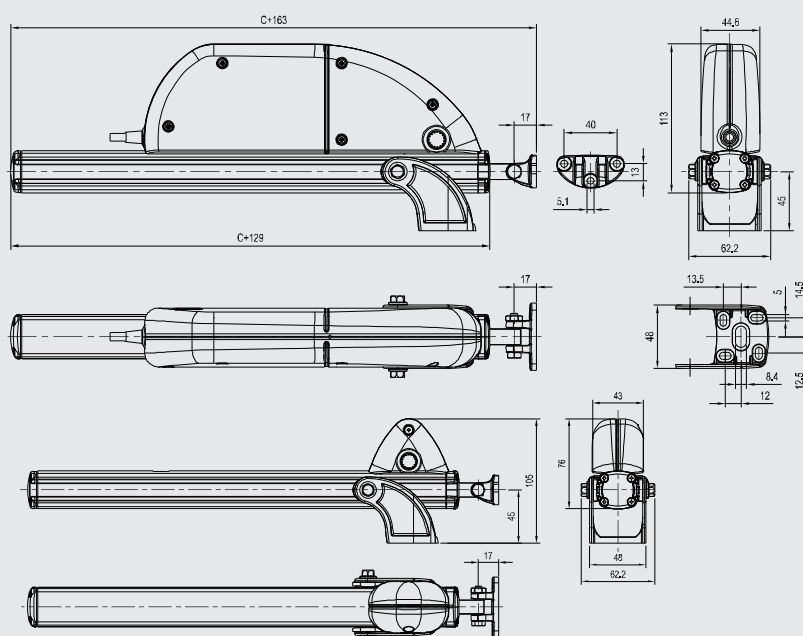
SKYRO650 230V and
SKYRO650 230V Syncro³:
SERIE KH and KH-R
RR2-M

SKYRO650 24V Solo and
Syncro³:
SERIE KL and KL-R
MODIX 2/4/6
MY-SUN1 and MY-SUN3
K-LOCK
AUX

SKYRO650 Syncro³ | Gear Rack Actuator 650N - Syncro³

TECHNICAL CHARACTERISTICS (Functional and mechanical features)

- Linear gear rack actuator suitable for opening domes, awning windows, hopper windows, and rooflights.
- Thrust and traction force of 650 N. Application of several thrust points on the same window with Syncro³ actuators and idle thrust points.
- Operates at 110-230V~ 50/60Hz or 24V DC. Supplied with a universal pivoting bracket, which can be fixed along the entire length of the rod by means of two sliding clamps.
- Power absorption limit switch while opening and closing and acting as electronic overload protection.
- Can be synchronized with other actuators and parallel connected.
- Complies with EU directives (EMC directives, Low Voltage Directive).
- Standard colours: silver anodized for the metal parts in extruded aluminium, grey (RAL7047) for the gearmotor. White power cable.



MODEL	230V	24V		
Thrust and traction force		650 N	Protection index for electrical devices	IP65
Strokes	(180,230) - 350,550,750,1000 mm		Soft Stop	NO
Power supply voltage	110-230V ~ (AC)	24V DC	Relax function	YES
Current absorption at nominal load	0,37 A / 0,18 A	1,0 A	Syncro ³ synchronization (<i>Nekos Patent</i>)	YES (max. 8)
Power absorption at nominal load	28 W / 24 W	24 W	Connection in parallel	YES (max. 20)
Average speed		7 mm/s	Length of power cable	2 m
Breaking current	-	1,20 A	Stroke-end at opening	At absorption of power
End stroke stop	At absorption of power		Stroke-end at closing	At absorption of power
Stroke travel duration at max. load	In accordance with the stroke length		Protection against overload	At absorption of power
Duration of the ramp (<i>start and stop</i>)	1 s		Noise	55 dB(A)
Electrical insulation	Class II	Class III (SELV)	Dimensions	44,6x113x (Stroke + 163) mm
Type of service	2 cycles	5 cycles	Weight (without brackets)	230V→1,65/2,00/2,34/2,76 Kg 24V→1,58/1,94/2,30/2,72 Kg
Working temperature	-20°C - +70°C			

CODE	MODEL 24V - SOLO and SYNCRO
6230501	SKYRO650 Syncro ³ 24V - Stroke 180 mm
6230502	SKYRO650 Syncro ³ 24V - Stroke 230 mm
6230503	SKYRO650 Syncro ³ 24V - Stroke 350 mm
6230504	SKYRO650 Syncro ³ 24V - Stroke 550 mm
6230505	SKYRO650 Syncro ³ 24V - Stroke 750 mm
6230506	SKYRO650 Syncro ³ 24V - Stroke 1000 mm

CODE	MODEL 230V - SOLO
6220101	SKYRO650 110-230V~ Stroke 180 mm
6220102	SKYRO650 110-230V~ Stroke 230 mm
6220103	SKYRO650 110-230V~ Stroke 350 mm
6220104	SKYRO650 110-230V~ Stroke 550 mm
6220105	SKYRO650 110-230V~ Stroke 750 mm
6220106	SKYRO650 110-230V~ Stroke 1000 mm

CODE	MODEL 230V - SYNCRO
6220501	SKYRO650 110-230V~ Stroke 180 mm
6220502	SKYRO650 110-230V~ Stroke 230 mm
6220503	SKYRO650 110-230V~ Stroke 350 mm
6220504	SKYRO650 110-230V~ Stroke 550 mm
6220505	SKYRO650 110-230V~ Stroke 750 mm
6220506	SKYRO650 110-230V~ Stroke 1000 mm

6290061	Actuator bar SKYRO650 Stroke 180 mm
6290062	Actuator bar SKYRO650 Stroke 230 mm
6290063	Actuator bar SKYRO650 Stroke 350 mm

6290064	Actuator bar SKYRO650 Stroke 550 mm
6290065	Actuator bar SKYRO650 Stroke 750 mm
6290066	Actuator bar SKYRO650 Stroke 1000 mm