

Instructions

Rack drive series ERD-J

Type: Basic

(24 VDC)



Please order bracket sets separately

Safety Notes



- **Operating voltage 24 VDC! Don't connect directly to grid!**
- Connection must be carried out by authorized electricians.
- It's necessary to ensure that people keep away from the operation area of the drives. Danger of violent pressure in accessible area!
- Use only in dry rooms.

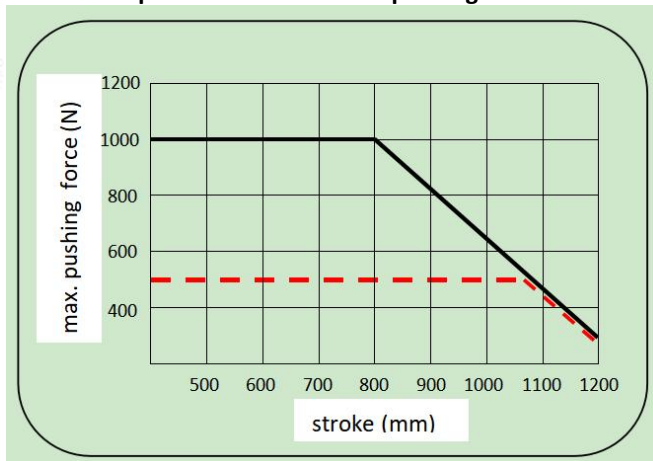
Application area

- For opening and closing of facade and roof windows
- Suitable for smoke and heat ventilation and daily ventilation

Stroke-pushing force diagram



- **Maximum pushing force of rack is dependent on stroke and does not correspond to the maximum pushing force of drive!**



Features

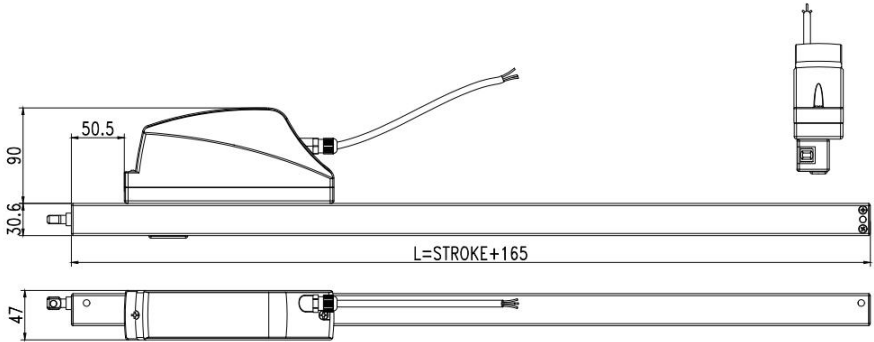
- ✧ Built-in electronic overload cutoff
- ✧ No-load life-cycle 30000, full-load 10000 (double strokes)
- ✧ High clamping force
- ✧ IP65 protection level
- ✧ The rack is carbon steel (stainless steel is available)
- ✧ Aluminium alloy shell with surface anodizing treatment
- ✧ 1.0m wire
- ✧ Optional installations

Technical data

Type	Voltage VDC	Current	Push force	Pull force	Stroke length	No load Speed
ERD 300/350-J	24V	0.8 A	300 N	300 N	350 mm	12 mm/s
ERD 300/600-J	24V	0.8 A	--	--	600 mm	12 mm/s
ERD 300/800-J	24V	0.8 A	--	--	800 mm	12 mm/s
ERD 300/1000-J	24V	0.8 A	--	--	1000 mm	12 mm/s
ERD 500/350-J	24V	1.0 A	500 N	500 N	350 mm	12 mm/s
ERD 500/600-J	24V	1.0 A	--	--	600 mm	12 mm/s
ERD 500/800-J	24V	1.0 A	--	--	800 mm	12 mm/s
ERD 500/1000-J	24V	1.0 A	--	--	1000 mm	12 mm/s
ERD 800/350-J	24V	1.2 A	800 N	800 N	350 mm	12 mm/s
ERD 800/600-J	24V	1.2 A	--	--	600 mm	12 mm/s
ERD 800/800-J	24V	1.2 A	--	--	800 mm	12 mm/s
ERD 800/1000-J	24V	1.2 A	--	--	1000 mm	12 mm/s
ERD 1000/350-J	24V	1.4 A	1000 N	1000 N	350 mm	12 mm/s
ERD 1000/600-J	24V	1.4 A	--	--	600 mm	12 mm/s

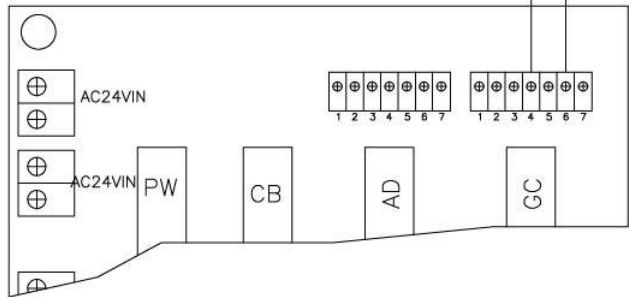
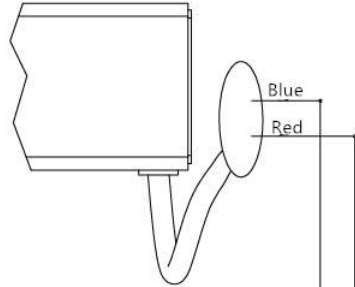
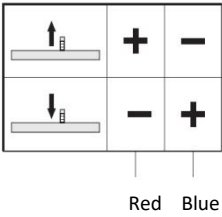
- Voltage: 24 VDC \pm 15 %
- Locking force: 1000 N
- Lifecycle: >10000 double strokes
- Protective class: IP65
- Temperature range: -20°C ~ +70°C

Dimensions of type ERD

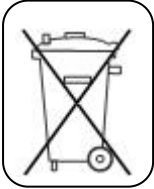


Stroke	Length L
350 mm	515 mm
600 mm	765 mm
800 mm	965 mm
1000 mm	1165 mm

Connection for type ERD-J



Disposal



Electrical equipment, accessories and packaging should be recycled for environment protection!

Don't dispose electrical equipment into household waste!

Only for EU-Countries: According to the European guideline 2002/96/EG about waste electrical and electronic equipment and its implementation into national law, useless electrical and electronic equipment must be separately collected and recycled for environment protection.

Contact

Brelatronic

Nanjing Brela Electric Equipment Co., Ltd

Floor 3, No. 992

Qin Shui Ting Dong Road

211102 NANJING P.R China

Phone: +86 25 84306886

www.brelatronic.com.cn

©2015 Brelatronic

Revision: A22

Rights to technical modifications reserved